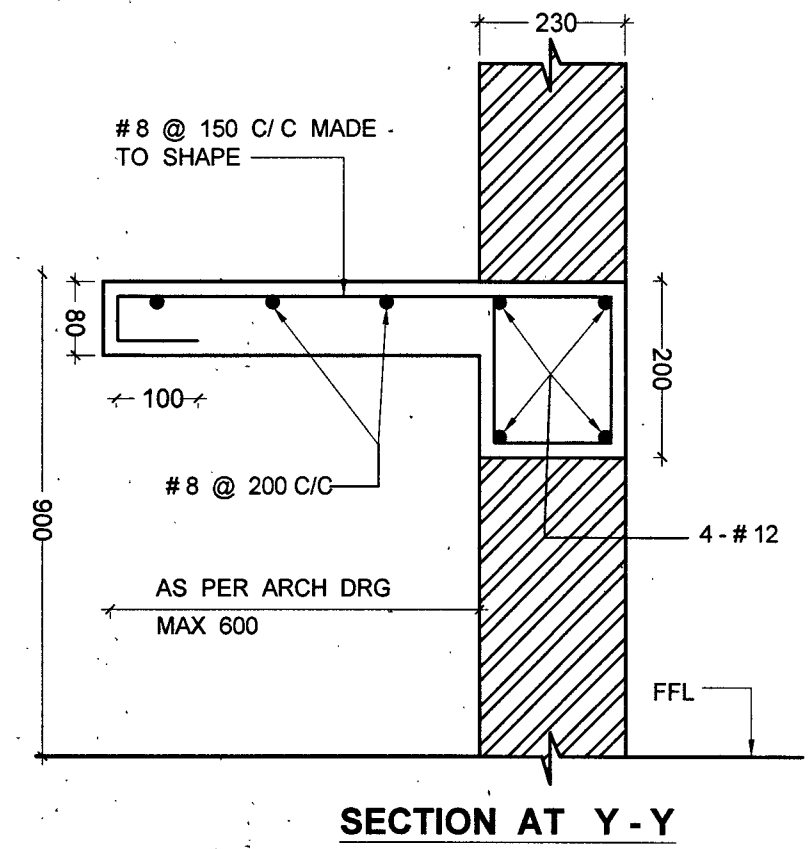


FIG.-31: RCC DETAIL OF DESERT COOLER SLAB



SECTION AT Y-Y

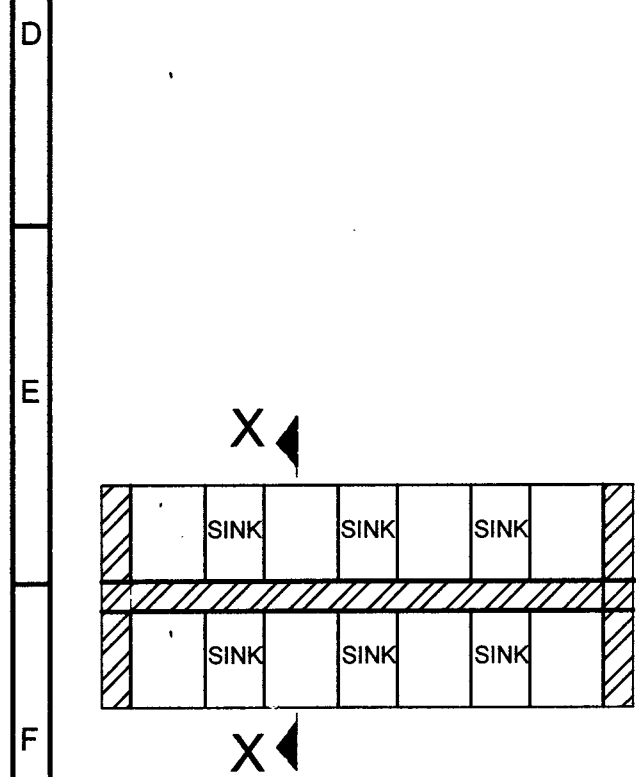
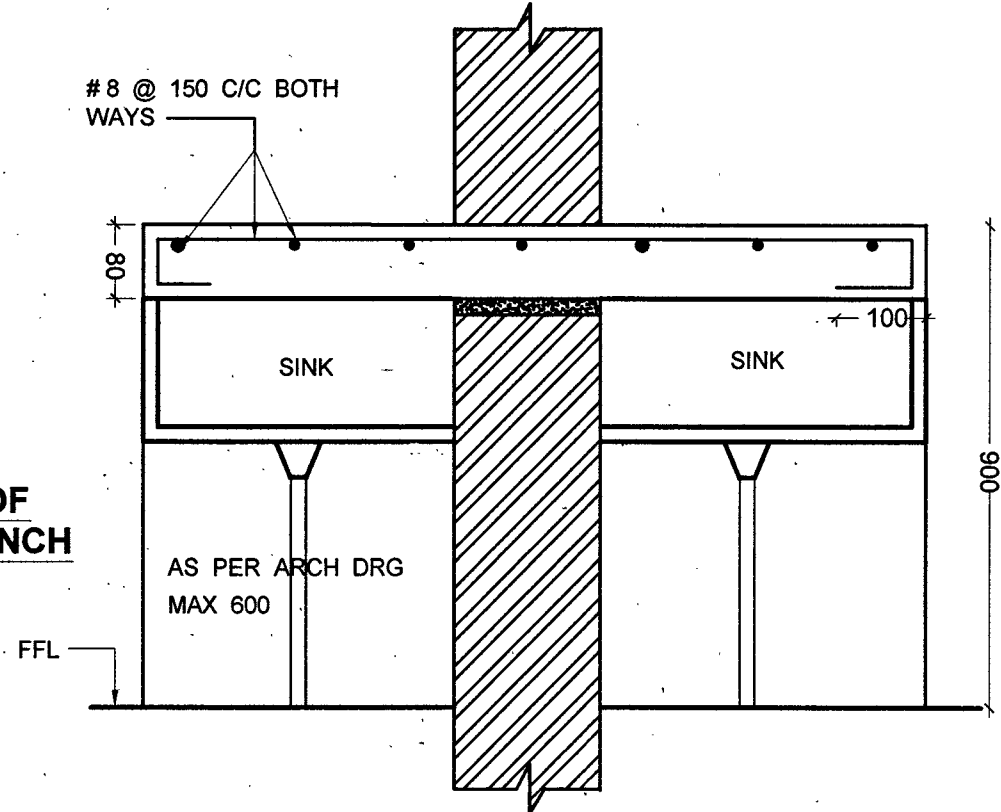




FIG.-33: PLAN OF WORKING BENCH

FIG.-32: PART PLAN OF WORKING BENCH



SECTION AT X-X

SNO.	DATE	DESCRIPTION	DY.DIR	DIR(DES)
REVISIONS				
DATE	30 MAY 2024	CHIEF ENGINEER JALANDHAR ZONE		
DRN	POOJAT	TYPICAL R.C.C. DETAILS		
TCD				
CKD				
SCALE	AS SHOWN			
SHT. SIZE	A3	 DIR (DESIGN)		
DETAILS OF WORKING BENCH AND DESERT COOLER SLAB				
 DIR (DESIGN) FOR CHIEF ENGINEER		DRG. NO.	SHEET NO.	
			19/34	
		DRG NO CEJZ / STD- 422 /24		